

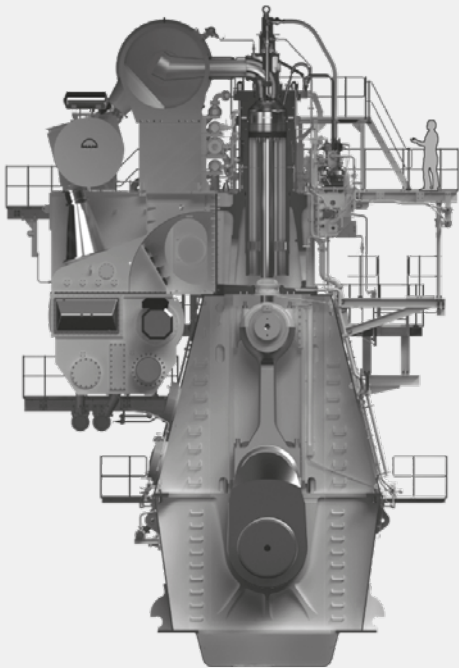


FIVA/ELFI SERVICES

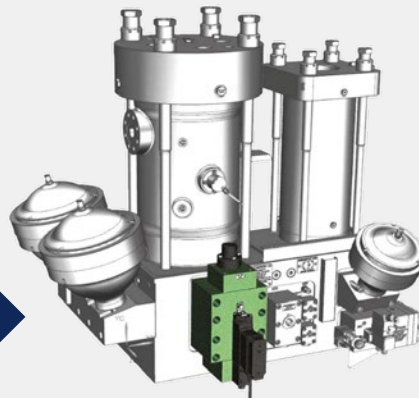
We keep your engines running

Performance and efficiency of electronically controlled engines strongly depends on FIVA/ELFI performance.

MAN B&W ME-B/C ENGINES



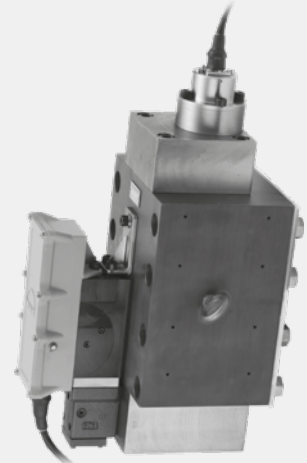
HYDRAULIC CYLINDER UNIT



HCU SERVICES

- Fuel Booster overhaul
- Exhaust Actuator overhaul
- FIVA/ELFI overhaul
- Cylinder Lubricator overhaul
- Accumulator overhaul and recharging
- Distributor Block cleaning

FIVA/ELFI VALVE



FIVA/ELFI SERVICES

- Inspection
- Testing on Test Stand
- Overhaul
- Proportional Valve replacement



- Marine/industrial engines and engine control systems specialists
- Woodward Authorized Independent Service Facility [AISF]*
- ISO9001:2015 certified, Lloyd's Register Quality Assurance

PBM Group

CROATIA*
Rijeka

BULGARIA*
Varna

ROMANIA*
Constanta

TURKEY
Istanbul

SLOVAKIA
Bratislava

BALTICS
Klaipėda

CHINA
Shanghai

www.pbm.hr

CROATIA - POPRAVAK BRODSKIH MOTORA d.o.o.
Svilno bb, 51219 Čavle (Rijeka)
Phone: +385 51 252 506 • Fax: +385 51 252 520

CONTACT
E pbm@pbm.hr

24/7